

HYBRID™ G2 JNR 130-10



1900
PSI

10
L/PM

ELECTRIC MOTOR
3.2KW
MOTOR TYPE

DIRECT
1450RPM
DRIVE

HOT
WATER
OUTPUT



HERO INNOVATIONS

- PEXO™**
Stainless Steel Exoskeleton
- DTS™**
Delayed Total Stop
- CC™**
Centralised Control

APPLICATIONS

- Food & Beverage Cleaning
- Transportation & Logistics
- Agriculturist
- Factory Cleaning



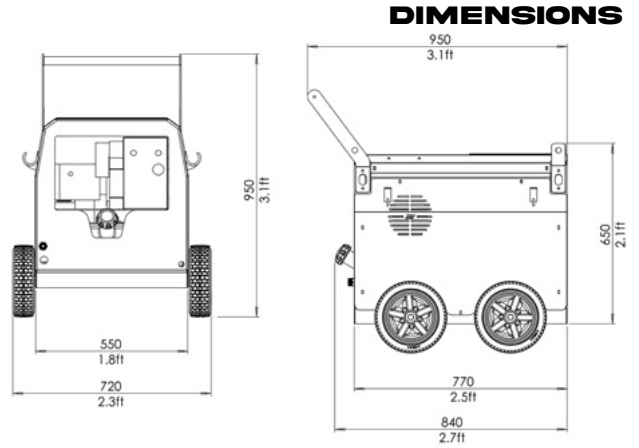
STANDOUT FEATURES

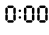
- Italian triplex plunger pump running at **1450RPM** delivers more performance and longer life.
- Interpump Low speed Italian made,** electric motor, air cooled and protected with thermal cut-out.
- 90% fuel efficient environmentally friendly V3 vertical diesel fired hot water burner system.
- 20L diesel fuel tank with front fill point
- 240v Single Phase plug
- Delayed Total Stop** for operational longevity.


STANDARD EQUIPMENT





Gun: (SKU: J5500K) J5500K LTF Spray Gun
Lance: (SKU: JW-007-JB) JW Single Lance with JetBlade nozzle socket
Nozzle: (SKU: JB-25035) 1 x JetBlade nozzle & JetBlade nozzle holder (SKU: JB-NP)
Hose: (SKU: JWA018-SC-ASSY) 10m DWB 3/8" Hose with m22 couplings
Storage: (SKU: G2WASHCASE) G2 Washcase



TECHNICAL DATA 	HYBRID™ G2 JNR 130-10
Product Code	HW1900-10ELG2
Pressure / Flow Rate	1900 PSI (130 BAR) / 10 L/PM (600 L/PH) / 2.6 GPM
Max Water Inlet / Outlet Temp	50°C (122°F) / 90°C (194°F)
Class (ASNZS: 4223)	A (1,300 Bar/Litres)
Usage Frequency	Industrial: Continuous
Nozzle Size	035
Frame Structure	CNC Modular galvanised steel chassis plus satin powder coat finish and stainless steel cover

MOTOR FEATURES 	
Motor / Power	Induction / 3.2kW / Single Phase / 240v / 50Hz
Cable Length / Control	8M / Delayed Total Stop DTS™

HYDRAULIC FEATURES 	
Pump / Head / Pistons	Italian Triplex Plunger / Brass / Ceramic
Motor Pump Coupling / Pump RPM	Direct / 1450RPM
Unloader Valve	Built In - Adjustable
Safety Valve	Yes

THERMAL FEATURES 	
Burner Model	Vertical V Series
Fuel Supply / Capacity / Consumption	Diesel / 20L / 5.14 L/PH
Coil / Housing Material	Mild steel 3mm wall seamless (400BAR rated) / Stainless Steel

DIMENSIONS & WEIGHT 	
Machine Dimensions / Weight	Skid: (L) 840mm x 5500mm (W) x 650mm (H) / 150KG

WARRANTY(S) 	
Unit / Pump Warranty*	 2 Years
Motor Warranty*	 2 Years

OPTIONAL UPGRADES	SKU
JW® PRO RAPID 30M HOSE REEL FITTED WITH 30M HOSE	1060CMPL-HYJ30M
OPTIONAL ACCESSORIES	SKU
JW® JETBLADE PRO TURBO HEAD	JB303-035
JW® EASY FOAM BOTTLE KIT 1L	JWA73.1
JW® SINGLE BYPASS PRO FOAM COMPLETE KIT	PROFOAM-1.6
JW® DUAL BYPASS PRO FOAM COMPLETE KIT	PROFOAM2-1.6
JW® JETBLADE TWIN LANCE (WITH PRESSURE CONTROL)	JW54.2C

Copyright © 2026 Jetwave® Group Pty Ltd. All Rights Reserved.
 The manufacturer reserves the right to modify design features and technical facts without notice; due to our principals of continuous improvement.
 *Coverage against defects in material and workmanship (refer to Jetwave's and component partners T&Cs).