

# HORNET™ G2 QXE 200-21



**3000**  
200 BAR  
**PSI**

**21**  
**L/PM**

**HONDA GX390**  
PETROL  
**ENGINE TYPE**  
POWERED by HONDA

**GEARBOX**  
1450RPM  
**DRIVE**

**COLD**  
**WATER**  
**OUTPUT**



## HERO INNOVATIONS

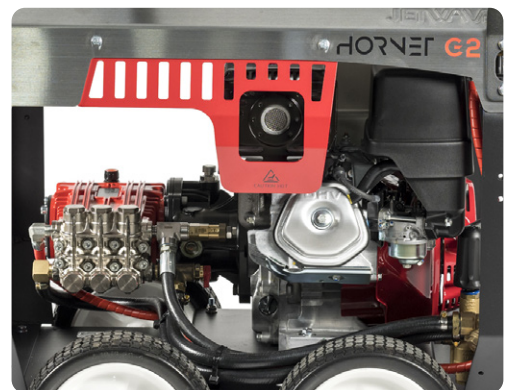
- PEXO™**  
Stainless Steel Exoskeleton
- JWPP™**  
Jetwave Italian Premium Pump
- CC™**  
Centralised Control
- AVPS™**  
Anti Vibration Protection System
- MC™**  
Multi Configuration



Registered Design © 202215870

## APPLICATIONS

- Tradesmen
- Commercial & Exterior Cleaning
- Agriculturist
- Construction



## STANDOUT FEATURES

- JW® UDOR® Premium Italian plunger pump running at 1450RPM, delivers more performance and longer life.
- Honda™ QXE GX390 Industrial Series Engine with with **electric key start** (back up pull start).
- Jetwave Safety System™ (JSS) thermal and safety valve to prevent overheating in excessive bypass and over pressurisation.
- Heavy duty JW Premium brass adjustable unloader valve. With flat spring design for longevity.
- Battery isolator to prevent battery voltage loss, when not in use.
- Emergency stop for increased operator safety.

## STANDARD EQUIPMENT



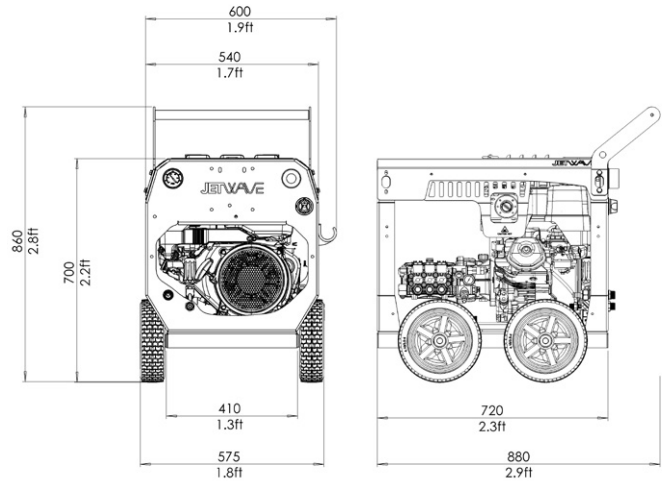
**Gun:** J5500k low trigger force gun w/swivel & lance coupling system.

**Lance:** JW Straight stainless steel lance w/ snap coupling + nozzle w/protector & tail



**Hose:** 10m non marking double wire braid hose w/M22 couplings

## DIMENSIONS (MM)



## TECHNICAL DATA

## HORNET G2 QXE 200-21

Product Code	CW3000-21PEG2
Pressure / Flow Rate	3000 PSI (200 BAR) / 21 L/PM (1260 L/PH) / 5.5 GPM
Max Water Inlet Temp	50°C/ 122°F
Class (AS/NZS: 4223)	A (4.200 Bar/Litres)
Usage Frequency	Professional: Daily
Nozzle Size	06
Frame Structure	CNC Modular galvanised sheet steel chassis plus satin powder coat finish and <b>stainless steel cover</b>

## MOTOR FEATURES

Engine / Power	Honda™ GX390 QXE Electric Start (air cooled) 13HP / 390cc
Fuel Type / Capacity / Protection	Unleaded / 6.1L / Low Oil Shutdown



## HYDRAULIC FEATURES

Pump / Head / Pistons	JW® Italian Triplex Plunger / Brass (Nickle Plated) / Ceramic
Motor Pump Coupling / Pump RPM	Gearbox Drive / 1450RPM
Unloader Valve	Independent - Adjustable (Panel Mounted)
Safety Valve	Yes

## DIMENSIONS & WEIGHT

Machine Dimensions / Weight	880mm(L) x 575mm(W) x 860mm(H) / 90KG (approx.)
-----------------------------	---

## WARRANTY(S)

Unit / Pump Warranty*	 2 Year(s)
Engine Warranty*	 3 Year(s)

## OPTIONAL ACCESSORIES

## OPTIONAL UPGRADES

30m Hose Reel	1060C MPL-H30M	Wheel Brake System Kit	JWA-WBS
JW Pro Turbo Head	JWA303-06	Engine Hour Meter	TACHHOUR8075
21" Hammerhead FSC - Stainless Steel	JWA-FSC22-5.06		
JW Easy Foam Kit	JW73.1		

Copyright © 2024 Jetwave® Group Pty Ltd. All Rights Reserved.

The manufacturer reserves the right to modify design features and technical facts without notice, due to our principals of continuous improvement.  
\*Coverage against defects in material and workmanship (refer to Jetwave's and component partners T&Cs).

V4.0 07/24