

# SENATOR™ G2D 350-23



**5075**  
350 BAR  
**PSI**

**23**  
**L/PM**

**KOHLER KDW1003**  
**LIQUID COOLED DIESEL**  
**ENGINE TYPE**  
KOHLER Diesel

**GEARBOX**  
**1450RPM**  
**DRIVE**

**COLD**  
**WATER**  
**OUTPUT**



## HERO INNOVATIONS



**TLL™**  
Top Lifting Lugs



**PEXO™**  
Stainless Steel Exoskeleton



**JWPP™**  
Jetwave Italian Premium Pump



**LCE™**  
Liquid Cooled Diesel Engine



**AVPS™**  
Anti Vibration Protection System



**CLASS B** AS/NZS 4233.1  
HIGH PRESSURE CLEANER  
RTO CERTIFICATION IS REQUIRED FOR OPERATORS



## APPLICATIONS



Hire & Rental



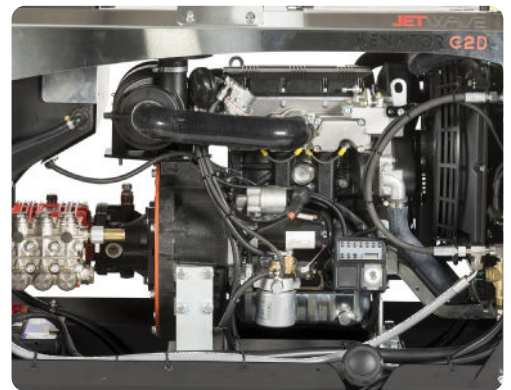
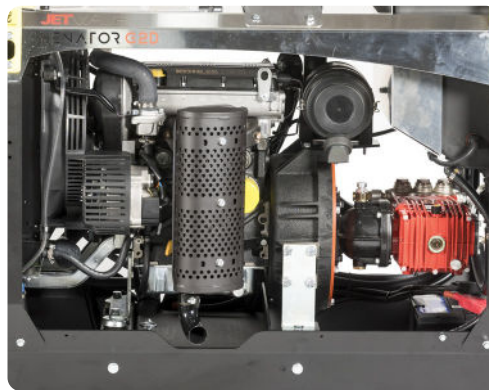
Factories & Manufacturing



Mine Sites



Offshore Oil & Gas



## STANDOUT FEATURES



JW® UDOR® Premium Italian plunger pump running at 1450RPM, delivers more performance and longer life.



Industrial liquid cooled Kohler™ KDW1003 24HP fuel injected diesel engine, electric start with hour metre.



Jetwave Safety System™ (JSS) safety valve to prevent overheating in excessive bypass and over pressurisation.



Seamless & sealed 40L on-board oversized water bypass tank w/low level cut out, for unit water supply and pump protection.



Battery isolator & Emergency stop for increased safety and longevity.



Seamless under chassis mounted 25L fuel tank (w/level gauge) protected from heat.

## STANDARD EQUIPMENT

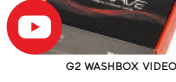


**Gun:** J5500k low trigger force gun w/swivel & lance coupling system.

**Lance:** JW Straight stainless steel lance w/ snap coupling + nozzle w/protector & tail

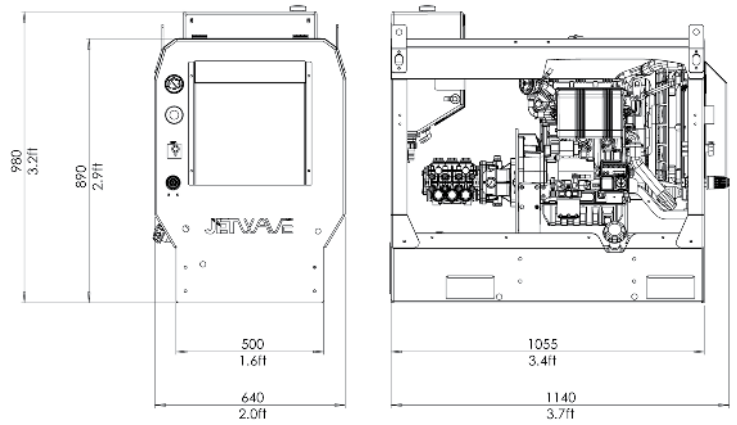


**Hose:** 15m non marking double wire braid hose w/M22 couplings



G2 WASHBOX VIDEO

## DIMENSIONS (MM)



## TECHNICAL DATA 0:00

## SENATOR™ G2D 350-23

Product Code	CW5000-23DG2
Pressure / Flow Rate	5075 PSI (350 BAR) / 23 L/PM (1380 L/PH) / 6 GPM
Max Water Inlet Temp	60°C / 140°F
Class (ASNZS: 4223)	B (8,050 Bar/Litres)
Usage Frequency	Professional: Daily Usage
Nozzle Size	05
Frame Structure	CNC Modular galvanised steel chassis plus satin powder coat finish and <b>stainless steel cover</b>

## MOTOR FEATURES

Engine / Power	Kohler™ KDW1003 Electric Key Start (3 cylinder liquid cooled) 24HP / 1028cc
Fuel Type / Capacity / Protection	Diesel / 25L (w/level gauge) / Low Oil Shutdown

## HYDRAULIC FEATURES

Pump / Head / Pistons	JW® UDOR® Premium Triplex Plunger / Brass (Nickle Plated) / Ceramic
Motor Pump Coupling / Pump RPM	Gearbox Drive / 1450RPM
Unloader Valve	Independent
Safety Valve	Yes

## DIMENSIONS & WEIGHT

Machine Dimensions / Weight	Skid: 1140mm(L) x 640mm(W) x 980mm(H) / 280KG (approx.)
-----------------------------	---

## WARRANTY(S)

Unit / Pump Warranty*	 2 Years
Engine Warranty*	<b>KOHLER</b> Diesel 3 Years

## OPTIONAL ACCESSORIES

## OPTIONAL UPGRADES

30m Hose Reel w/30m hose	1060Cmpl-SD30M	4 Wheel Trolley Kit (2xCastor Wheels 2xOff Road Wheels)	JWA407E
60m Hose Reel w/60m hose	1067Cmpl-SD60M	Mine Specification Kit	G2DMINESPEC-A
JW Pro Turbo Head	JWA303-05		
21" Hammerhead FSC - Stainless Steel	JWA-FSC22-5.05		

Copyright © 2023 Jetwave® Group Pty Ltd. All Rights Reserved.

The manufacturer reserves the right to modify design features and technical facts without notice, due to our principals of continuous improvement.

\*Coverage against defects in material and workmanship (refer to Jetwave's and component partners T&Cs).

V3.0 08/23