

# SENATOR™ G2 JX 350-23



**5075**  
350 BAR  
**PSI**

**23**  
L/PM

**JX750 V-TWIN**  
**PETROL**  
**ENGINE TYPE**

**GEARBOX**  
1450RPM  
**DRIVE**

**COLD**  
**WATER**  
**OUTPUT**



--- Optional - Trolley Kit

## HERO INNOVATIONS



**PEXO™**  
Stainless Steel Exoskeleton



**JWPP™**  
Jetwave Italian Premium Pump



**CC™**  
Centralised Control



**AVPS™**  
Anti Vibration Protection System



**MC™**  
Multi Configuration



Registered Design ® 202215872

## APPLICATIONS



Tradesmen



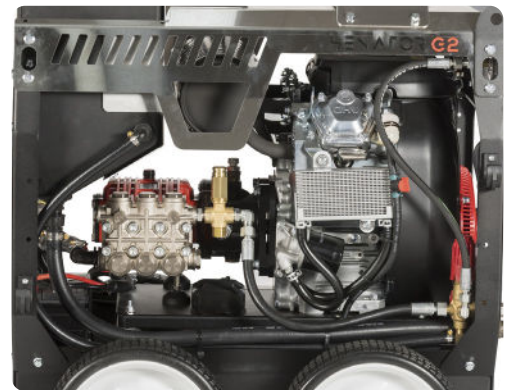
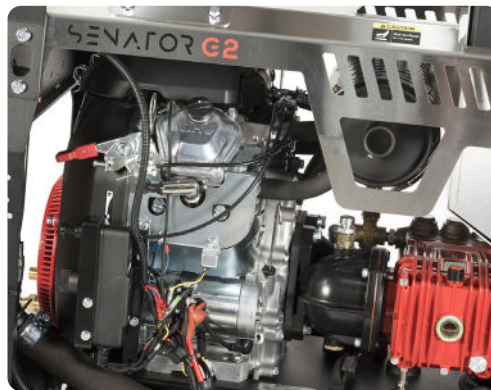
Commercial Cleaners



Shipping & Logistics



Construction



## STANDOUT FEATURES



JW® UDOR® Premium Italian plunger pump running at 1450RPM, delivers more performance and longer life.



Electric start Industrial V-Twin JX750 Series Engine.



Jetwave Safety System™ (JSS) safety valve to prevent over pressurisation.



Seamless & sealed 40L on-board oversized water bypass tank w/low level cut out, for unit water supply and pump protection.



Battery isolator & Emergency stop for increased safety and longevity.



Seamless under chassis mounted 25L fuel tank (w/level gauge) protected from heat with front fill point safety.

## STANDARD EQUIPMENT

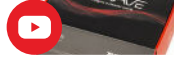


**Gun:** J5500k low trigger force gun w/swivel & lance coupling system.

**Lance:** JW Straight stainless steel lance w/ snap coupling + nozzle w/protector & tail

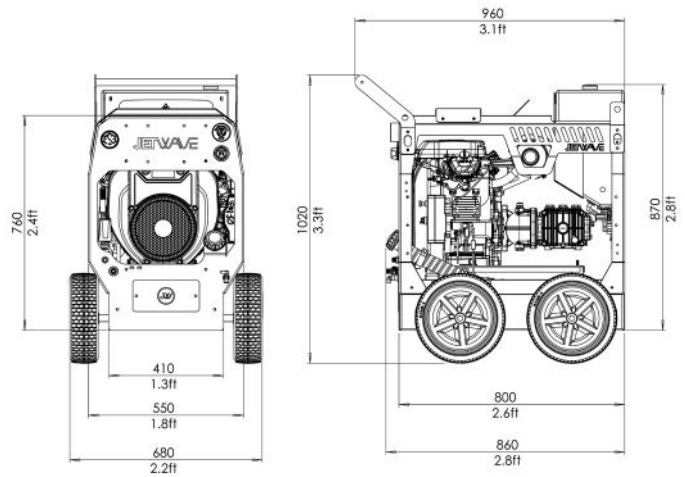


**Hose:** 15m non marking double wire braid hose w/M22 couplings



G2 WASHBOX VIDEO

## DIMENSIONS (MM)



## TECHNICAL DATA 0:00

## SENATOR G2 JX 350-23

Product Code	CW5000-23PEG2JX
Pressure / Flow Rate	5075 PSI (350 BAR) / 23 L/PM (1380 L/PH) / 6 GPM
Max Water Inlet Temp	60°C / 140°F
Class (ASNZS: 4223)	B (8,050 Bar/Litres)
Usage Frequency	Professional: Daily Usage
Nozzle Size	05
Frame Structure	CNC Modular galvanised steel chassis plus satin powder coat finish and <b>stainless steel cover</b>

## MOTOR FEATURES

Engine / Power	JX750 Electric Key Start (air cooled) 24HP / 750cc
Fuel Type / Capacity / Protection	Unleaded / 25L (w/level gauge) / Low Oil Shutdown


## HYDRAULIC FEATURES

Pump / Head / Pistons	JW® UDOR® Premium Triplex Plunger / Brass (Nickle Plated) / Ceramic
Motor Pump Coupling / Pump RPM	Gearbox Drive / 1450RPM
Unloader Valve	Independent (Panel Mounted)
Safety Valve	Yes

## DIMENSIONS & WEIGHT

Machine Dimensions / Weight	Skid: 850mm(L) x 550mm(W) x 870mm(H) / 150KG (approx.)
-----------------------------	--

## WARRANTY(S)

Unit / Pump Warranty*	 2 Years
Engine Warranty*	 3 Years

## OPTIONAL ACCESSORIES

30m Hose Reel w/30m total hose	1060CMPL-SEN30M
60m Hose Reel w/60m total hose	1067CMPL-SEN60M
JW Pro Turbo Head	JWA303-05
21" Hammerhead - Stainless Steel	JWA-FSC22-5.05

## OPTIONAL UPGRADES

4 Wheel Trolley Kit	JWA407-S
Hose Reel Roller Guide System HGS™	1067-GUIDEASSY (1067 Only)

Copyright © 2023 Jetwave® Group Pty Ltd. All Rights Reserved.

The manufacturer reserves the right to modify design features and technical facts without notice, due to our principals of continuous improvement.

\*Coverage against defects in material and workmanship (refer to Jetwave's and component partners T&Cs).

V3.0 08/23