

SENATOR™ G2 JX 280-21



4060
PSI

21
L/PM

JX750 V-TWIN
PETROL
ENGINE TYPE

GEARBOX
1450RPM
DRIVE

COLD
WATER
OUTPUT



PHOTOS FOR ILLUSTRATION PURPOSES ONLY

--- Optional - Trolley Kit

HERO INNOVATIONS



PEXO™
Stainless Steel Exoskeleton



JWPP™
Jetwave Italian Premium Pump



CC™
Centralised Control



AVPS™
Anti Vibration Protection System



MC™
Multi Configuration

Registered Design © 202215872

APPLICATIONS



Tradesmen



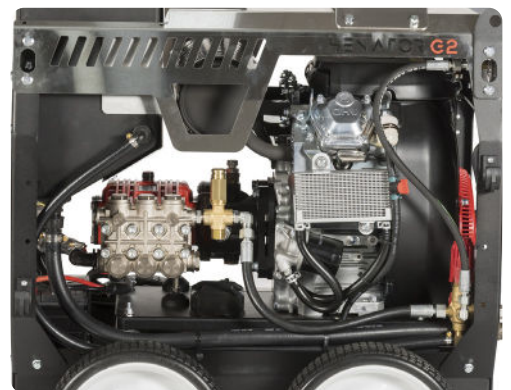
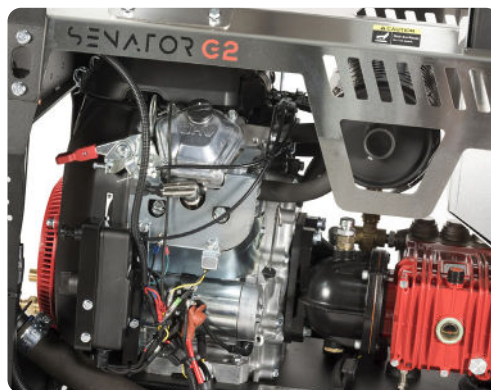
Commercial Cleaners



Shipping & Logistics



Hire & Rental



STANDOUT FEATURES



JW® Enhanced Italian triplex plunger pump running at 1450RPM delivers more performance and longer life.



Electric start Industrial V-Twin JX750 Series Engine.



Jetwave Safety System™ (JSS) safety valve to prevent over pressurisation.



Seamless & sealed 40L on-board oversized water bypass tank w/low level cut out, for unit water supply and pump protection.



Battery isolator & Emergency stop for increased safety and longevity.



Seamless under chassis mounted 25L fuel tank (w/level gauge) protected from heat with front fill point safety.

STANDARD EQUIPMENT

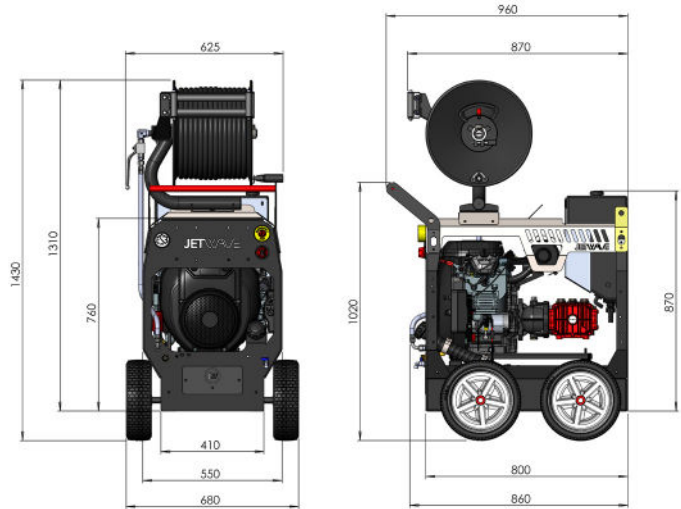


J5000™ High Pressure Gun + Twin Lance with Nozzles.



15m Double Wire Braid Hose with Couplings.

DIMENSIONS (MM)



TECHNICAL DATA 0:00

SENATOR G2 JX 280-21

Product Code	CW4000-21PEG2JX
Pressure / Flow Rate	4060 PSI (280 BAR) / 21 L/PM
Max Water Inlet Temp	60°C
Class (ASNZS: 4223)	B (5,880 Bar/Litres)
Usage Frequency	Professional: Daily Usage
Nozzle Size	05
Frame Structure	CNC Modular galvanised steel chassis plus satin powder coat finish and stainless steel cover

MOTOR FEATURES



Engine / Power	JX750 Electric Key Start (air cooled) 24HP / 750cc
Fuel Type / Capacity / Protection	Unleaded / 25L (w/level gauge) / Low Oil Shutdown

HYDRAULIC FEATURES



Pump / Head / Pistons	JW® Italian Triplex Plunger / Brass (Nickel Plated) / Ceramic
Motor Pump Coupling / Pump RPM	Gearbox Drive / 1450RPM
Unloader Valve	Independent (Panel Mounted)
Safety Valve	Yes
Detergent Injector	Yes - Downstream low pressure (power boost)

DIMENSIONS & WEIGHT



Machine Dimensions / Weight	Skid: 850mm(L) x 550mm(W) x 870mm(H) / 150KG (approx.)
-----------------------------	--

WARRANTY(S)



Unit / Pump Warranty*	2 Years
Engine Warranty*	3 Years

OPTIONAL ACCESSORIES

OPTIONAL UPGRADES

30m Hose Reel w/30m hose	1060CMPL-SEN30M	4 Wheel Trolley Kit	JWA407-S
60m Hose Reel w/60m hose	1067CMPL-SEN60M	Low Pressure Inlet Hose Reel w/30m hose	1065CMPLLP
JW12 Foaming Lance w/1L Tank	JWA221-LS12	Hose Reel Roller Guide System HGS™	1067-GUIDEASSY (1067 Only)
JW Bypass Pro Foam	PROFOAM		
Turbo Head w/Lance (300BAR)	JWA160		
21" Hammerhead - ABS Plastic	JWA-FSC21		
21" Hammerhead - Stainless Steel	JWA-FSC21-5		

Copyright © 2023 Jetwave® Group Pty Ltd. All Rights Reserved.

The manufacturer reserves the right to modify design features and technical facts without notice, due to our principals of continuous improvement.

*Coverage against defects in material and workmanship (refer to Jetwave's and component partners T&Cs).

V3.0 03/23