



JETWAVE®

HIGH PRESSURE CLEANERS

SENATOR™ LITE SILENT TRAILER



Trailer



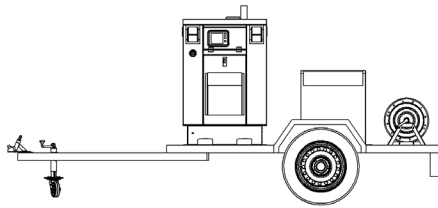
Diesel



Cold Water



Continuous Usage



The Jetwave® Senator Silent Lite Trailer is designed and built to Australian conditions from the best quality components. A turn key solution for portable pressure washing, featuring the next generation of innovative pressure cleaners boasting the best technology for safety and performance.



KOHLER Diesel

MODELS

SENATOR SILENT JNR

4060 PSI • 15 L/PM [FIND OUT MORE](#)

3600 PSI • 21 L/PM [FIND OUT MORE](#)

SENATOR SILENT

3000 PSI • 41 L/PM [FIND OUT MORE](#)

4000 PSI • 20 L/PM [FIND OUT MORE](#)

4350 PSI • 21 L/PM [FIND OUT MORE](#)

4350 PSI • 31 L/PM [FIND OUT MORE](#)

5000 PSI • 16 L/PM [FIND OUT MORE](#)

5075 PSI • 23 L/PM [FIND OUT MORE](#)

7250 PSI • 18 L/PM [FIND OUT MORE](#)



READ MORE ABOUT THE SENATOR SILENT FAMILY BOOKLET



STANDOUT FEATURES



Quick release tow coupling with 50mm ball.



Heavy duty jockey wheel.



Full galvanised construction.



Sunraysia style wheels.



Heavy duty tyres.



Polyethylene 600L water tank and top fill.



Trailer lead-7 pin male plug.



Heavy duty washable water inlet filter.



Multi voltage 12/24v LED lights recessed to protect.



Bypass back into tank.



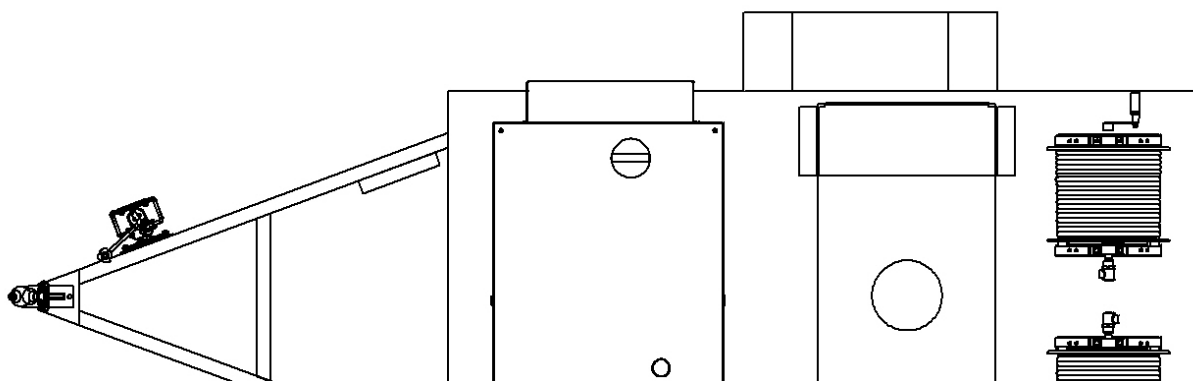
Low level water cut out protection.



High flow float valve auto shut off, for water inlet.



- Professional high & low pressure duty hose reels
- 30m for low pressure inlet water feed
- 30m for high pressure DWB hose



SENATOR SILENT

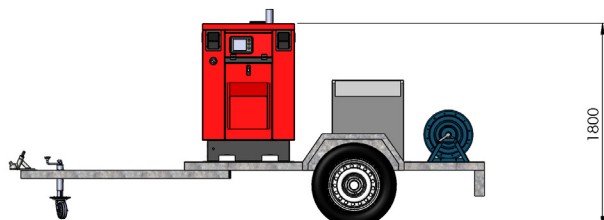
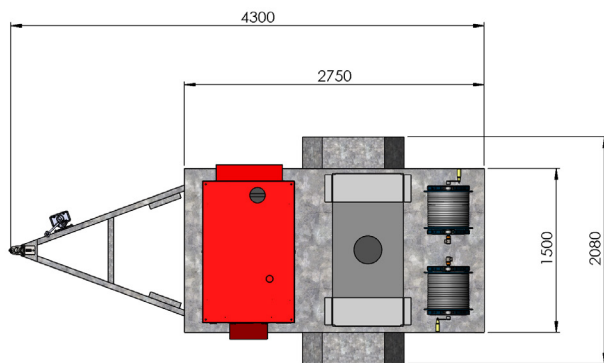
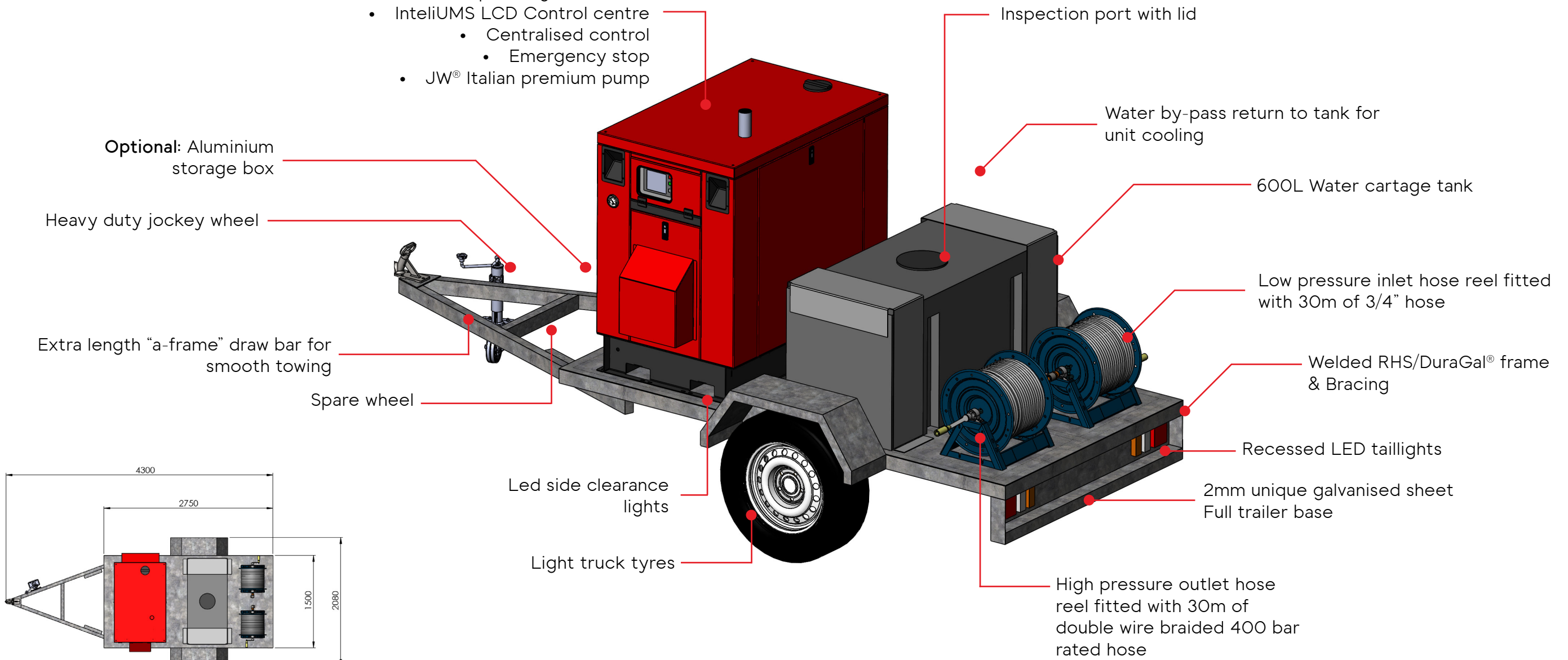


SENATOR SILENT JNR



Senator Silent

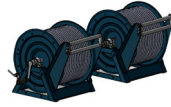
- Enclosed silent design under 70db operating sound level
- InteliUMS LCD Control centre
 - Centralised control
 - Emergency stop
- JW® Italian premium pump



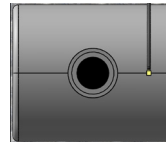


Jetwave Group
 10-16 Smith Street Thebarton | Adelaide | South Australia | 5031 | AU
 +61 8 8371 3599
 sales@jetwave.com.au
 jetwave.com.au

2X Apache Hose Reels - 100m capacity of 3/8" steel construction with double ball bearing support & welded hub. 30m 3/8" DWB high pressure hose & 30m 3/4" low pressure inlet hose.



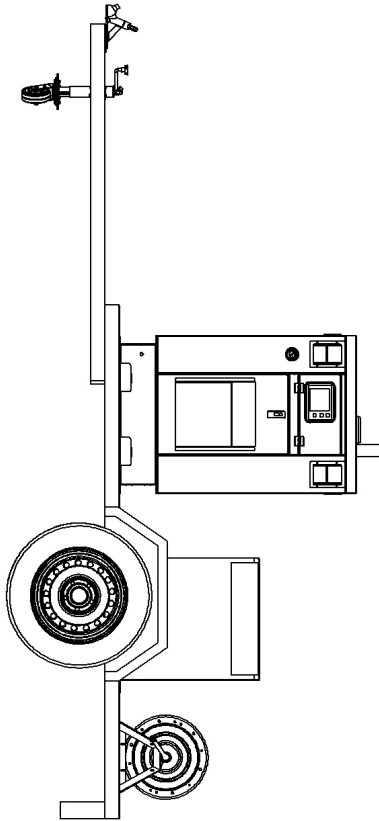
Water Tank - 600L for water cartage



Spare Wheel - For safety & convenience on site

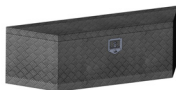


STANDARD EQUIPMENT



TANK CAPACITY		600L
Product Code	p/n	TRS-KIT1
TRAILER FEATURES		
Origin	country	Made in Australia
Axle	no.	1
Wheels	type	6 Stud Sunraysia Light Truck
Axle Thickness	type	50mm With Parallel Bearings
Braking System	type	Hydraulic 10" Drum with Override
Light Voltage	type	Multi Voltage 12/24v LED
Spare Wheel	y / n	Y
Material Finish	type	Galvanised
Trailer Rating	weight	1875kg
Tow Hitch	type	50mm Ball Coupling
Jockey Wheel	type	AL-KO or equivalent
Suspension System	type	9 Leaf HD
WATER TANK FEATURES		
Origin	country	Australian
Level Gauge	y / n	Y
Tank Fill Lid	type	Plastic Breathable
UV Stabilised	y / n	Y
DIMENSIONS & WEIGHT		
Approx Weight	kg	950 (dry) / 1550 (wet)
Unit Dimensions	mm	4300(L) x 2080(W) x 1900(H)
WARRANTY(S)		
Trailer Warranty	year	1

1500mm Draw Bar Mounted Alloy Tool Box



31601

Hose Reel Guides



2100463

Jerry Can Holder (each)
 Petrol - Red | Diesel - Yellow



JWA427

OPTIONAL EQUIPMENT

