

HORNET™ G2D



3150 - 4060
PSI

13 - 15
L/PM

KOHLER KD15 - 440
DIESEL
ENGINE TYPE
KOHLER Diesel

GEARBOX
1450RPM
DRIVE

COLD WATER
OUTPUT



- Optional - Wheel Brake

HERO INNOVATIONS



PEXO™
Stainless Steel Exoskeleton



JWPP™
Jetwave Italian Premium Pump



CC™
Centralised Control



AVPS™
Anti Vibration Protection System



MC™
Multi Configuration



LEARN MORE



Hornet G2 Video

APPLICATIONS



Tradesmen



Commercial Cleaners



Mine Sites



Hire & Rental



STANDOUT FEATURES



JW® Enhanced Italian triplex plunger pump running at 1450RPM delivers more performance and longer life.



Industrial Kohler™ KD15-440 series air cooled engine, with cyclonic air pre filter and twin fuel filtration for increased reliability.



Jetwave Safety System™ (JSS) thermal and safety valve to prevent overheating in excessive bypass and over pressurisation.



Zero line pressure brass adjustable unloader valve.



Battery isolator.



Emergency stop.

STANDARD EQUIPMENT

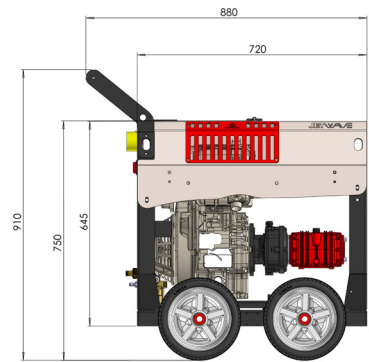
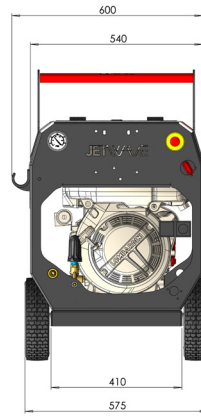


J5000™ High Pressure Gun + Twin Lance with Nozzles.



15m Double Wire Braid Hose with M22 Couplings.

DIMENSIONS (MM)



TECHNICAL DATA

	HORNER™ G2D 210	HORNER™ G2D 280
Product Code	CW3000-15DG2	CW4000-13DG2
Pressure / Flow Rate	3150 PSI (210 BAR) / 15 L/PM	4060 PSI (280 BAR) / 13 L/PM
Max Water Inlet Temp	60°C	
Class (ASNZS: 4223)	A (3,150 Bar/Litres)	A (3,640 Bar/Litres)
Usage Frequency	Professional - 4 Hours Daily	
Nozzle Size	O45	O35
Frame Structure	CNC modular galvanised steel chassis plus satin powder coat finish and stainless steel cover	

MOTOR FEATURES

Engine / Power	Kohler™ KD15-440 Electric Key Start (air cooled) 10HP / 441cc
Fuel Type / Capacity / Protection	Diesel / 3.4L / Low Oil Shutdown

HYDRAULIC FEATURES

Pump / Head / Pistons	JW® Italian Triplex Plunger / Brass (Nickle Plated) / Ceramic
Motor Pump Coupling / Pump RPM	Gearbox Drive / 1450RPM
Unloader Valve	Independent (Zero) - Adjustable
Safety Valve	Yes
Detergent Injector	Yes - Downstream low pressure (power boost)

DIMENSIONS & WEIGHT

Machine Dimensions / Weight	880mm(L) x 575mm(W) x 910mm(H) / 86KG
-----------------------------	---------------------------------------

WARRANTY(S)

Unit / Pump Warranty*	 2 Years
Engine Warranty*	KOHLER .Diesel 3 Years

OPTIONAL ACCESSORIES

30m Hose Reel	1060CMPL
60m Hose Reel	1067CMPL
Additional High Pressure Hose	52001
JW12 Foaming Lance w/1L Tank	JWA221-LS12
JW Bypass Pro Foam	PROFOAM
Turbo Head w/Lance (300BAR)	JWA160
21" Hammerhead - Plastic	JWA-FSC21
21" Hammerhead - Stainless Steel	JWA-FSC21-5

OPTIONAL UPGRADES

On-board Water Bypass Cooling Tank	90008-12ROTCMPL
Low Level Water Cut Out	JWA218
Top Lift Eyelets Kit	JWA551
Wheel Brake System Kit	JWA-WBS
Forklift Pocket/Mounting Base	JWA-FLB
Mine Specification Kit	On Application

The manufacturer reserves the right to modify design features and technical facts without notice, due to our principals of continuous improvement.
*Coverage against defects in material and workmanship (refer to Jetwave's and component partners T&Cs).

V2.2 08/21