

# EXECUTIVE™ SILENT 345-16



**5000**  
345 BAR  
**PSI**

**16**  
**L/PM**

**KOHLER KD1903**  
**42HP**  
**DIESEL**  
**ENGINE TYPE**  
KOHLER Diesel

**DIRECT**  
**1500RPM**  
**DRIVE**

**HOT**  
**WATER**  
**OUTPUT**



## HERO INNOVATIONS



**PEXO™**  
Enclosed Design



**JWPP™**  
Jetwave UDOR™ Italian Premium Pump



**INTELIUMS™**  
LCD Control System



**OLCE™**  
Oversized Liquid Cooled Engine



**ULDO™**  
Ultra Low Decibel Output



**CLASS A AS/NZS 4233**  
PRESSURE CLEANER  
NO RTO CERTIFICATION REQUIRED FOR OPERATORS



## APPLICATIONS

- Tradesmen
- Factories & Manufacturing
- Mine Sites
- Offshore Oil & Gas



## STANDOUT FEATURES

- JW® UDOR® Premium Italian plunger pump running at 1500RPM direct with soft coupling to the engine, allows longer life and no reduction method.
- Sound proof cabinet ensures ultra low noise emissions approx 70dB allowing after hours cleaning in built up areas

- Oversized Liquid Cooled Kohler™ KD1903 42HP diesel engine that optimises all speeds and loads.
- Enclosed steel cabinet protection keeps all critical working components safe from weather and operator error.

- Intelium™ LCD Unit management system displays live data read outs, warnings and auto shutdown to protect the units critical components.
- Battery isolator & emergency stop. Lockable diesel fuel fill point for added safety.

## STANDARD EQUIPMENT



**Gun:** J5500k low trigger force gun w/swivel & lance coupling system.

**Lance:** JW Straight stainless steel lance w/ snap coupling + nozzle w/protector & tail

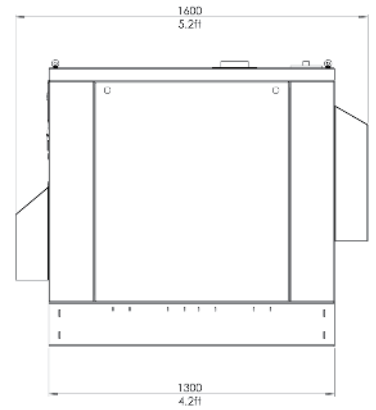
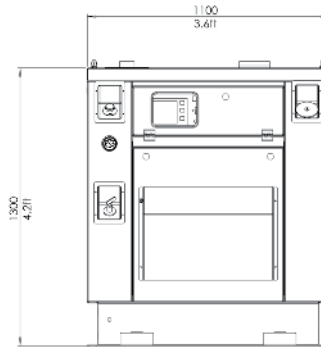


**Hose:** 15m non marking double wire braid hose w/M22 couplings



G2 WASHBOX VIDEO

## DIMENSIONS (MM)



## TECHNICAL DATA 0:00

## EXECUTIVE SILENT 345-16

Product Code	HW5000-16DI
Pressure / Flow Rate	5000 PSI (345 BAR) / 16 L/PM (960 L/PH) / 4 GPM
Max Water Inlet / Outlet Temp	60°C / 90°C
Class (ASNZS: 4223)	Class A (5,520 Bar/Litres)
Usage Frequency	Industrial: Continuous
Nozzle Size	05
Frame Structure	CNC Modular skid galvanised steel chassis plus satin powder coat finish w/removable side covers

## MOTOR FEATURES

Engine / Power	Kohler™ KDI1903 Electric Push Button Start (liquid cooled) 42HP / 1861cc
Fuel Type / Capacity / Protection	Diesel / 100L (Common) / IntelliUMS™ Auto Shutdown Protection

## HYDRAULIC FEATURES

Pump / Head / Pistons	JW® UDOR® Premium Triplex Plunger / Brass (Nickle Plated) / Ceramic
Motor Pump Coupling / Pump RPM	Direct Soft Coupling / 1500RPM
Unloader Valve	Independent
Safety Valve	Yes

## HYDRAULIC FEATURES

Burner Model	Vertical 12v High Flow Series
Fuel Supply / Capacity / Consumption	Diesel / 100L / 5.74 L/PH
Coil / Housing Material	Mild steel 3mm wall seamless (500BAR rated) / Zinc coated steel

## DIMENSIONS & WEIGHT

Machine Dimensions / Weight	1600mm(L) x 1100mm(W) x 1300mm(H) / 633KG
-----------------------------	---

## WARRANTY(S)

Unit / Pump Warranty*	2 Years
Engine Warranty*	<b>KOHLER.Diesel</b> 3 Years

## OPTIONAL ACCESSORIES

## OPTIONAL UPGRADES

21" FSC - Stainless Steel	JWA-FSC22-5CMPL	Mine Specification Kit	SILENTMINESPEC
---------------------------	-----------------	------------------------	----------------

Copyright © 2023 Jetwave® Group Pty Ltd. All Rights Reserved.

The manufacturer reserves the right to modify design features and technical facts without notice, due to our principals of continuous improvement.

\*Coverage against defects in material and workmanship (refer to Jetwave's and component partners T&Cs).

V3.0 08/23