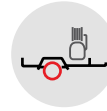




# JETWAVE®

## HIGH PRESSURE CLEANERS

# SENATOR™ G2 TRAILER



Trailer



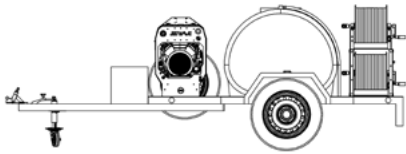
Petrol



Cold Water



Daily Usage



The Jetwave® Senator G2 Trailer is designed and built to Australian conditions from the best quality components. A turn key solution for portable pressure washing, featuring the next generation of innovative pressure cleaners boasting the best technology for safety and performance.



POWERED by **HONDA™**

## MODELS

### SENATOR™ G2

3600 PSI • 30 L/PM [FIND OUT MORE](#)

4000 PSI • 20 L/PM [FIND OUT MORE](#)

4060 PSI • 26 L/PM [FIND OUT MORE](#)

4350 PSI • 21 L/PM [FIND OUT MORE](#)

5000 PSI • 16 L/PM [FIND OUT MORE](#)

5075 PSI • 23 L/PM [FIND OUT MORE](#)

### SENATOR™ G2FI

4350 PSI • 31 L/PM [FIND OUT MORE](#)

5075 PSI • 25 L/PM [FIND OUT MORE](#)

7000 PSI • 18 L/PM [FIND OUT MORE](#)

## STANDOUT FEATURES



Quick release tow coupling with 50mm ball.



Heavy duty jockey wheel.



Full galvanised construction.



Sunraysia style wheels.



Heavy duty tyres.



Polyethylene 1000L water tank and top fill.



Spare wheel.



Trailer lead-7 pin male plug.



Heavy duty washable water inlet filter.



Mechanical override braking system.



Multi voltage 12/24v LED lights recessed to protect.



Bypass back into tank.



Low level water cut out protection.



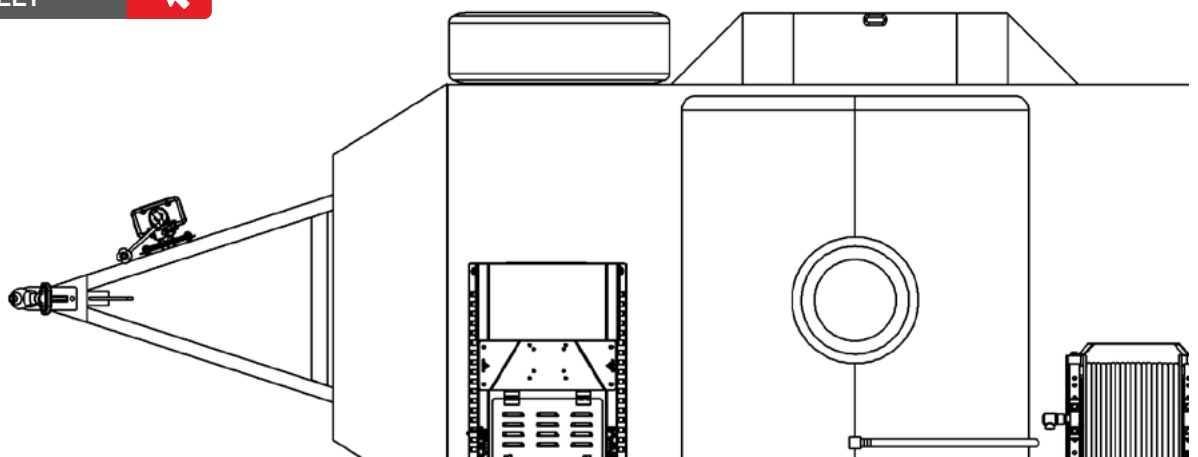
High flow float valve auto shut off, for water inlet.



Heavy duty hose reels.



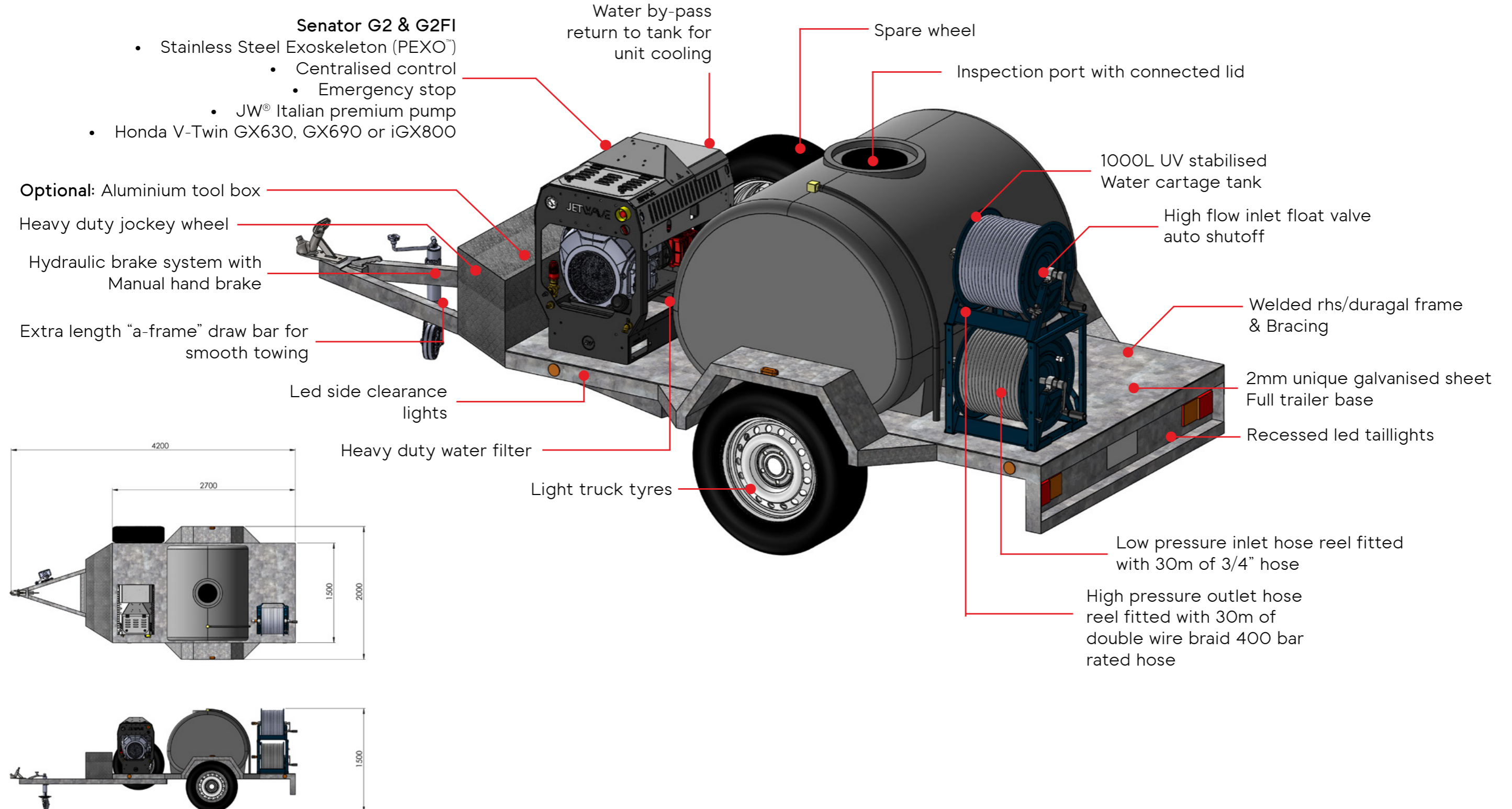
READ MORE ABOUT THE SENATOR G2 FAMILY BOOKLET



# SENATOR G2



# SENATOR G2FI

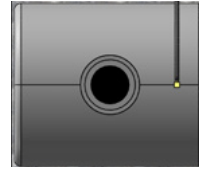




**Apache Hose Reels** - 100m capacity of 3/8" Steel construction with double ball bearing support & welded hub. Double stack kit 30m 3/8" DWB high pressure hose & 30m 3/4" low pressure inlet hose.

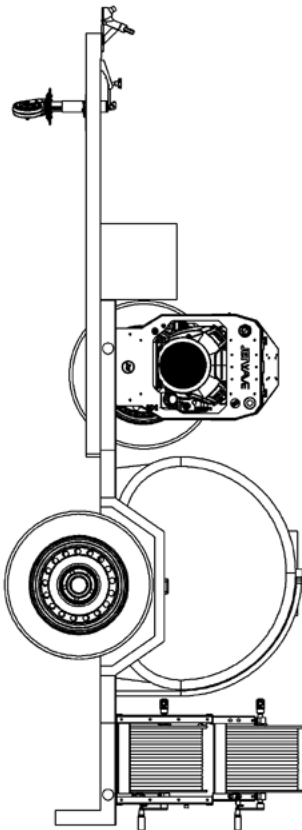
**Water Tank** - 1000L for water cartage

**Spare Wheel** - For safety & convenience on site



Jetwave Group  
 10-16 Smith Street Thebarton I  
 Adelaide I South Australia I 5031 I AU  
 +61 8 8371 3599  
 sales@jetwave.com.au  
 jetwave.com.au

**STANDARD EQUIPMENT**



<b>TANK CAPACITY</b>		1000L
Product Code	p/n	TRS-KIT2
<b>TRAILER FEATURES</b>		
Origin	country	Made in Australia
Axle	no.	1
Wheels	type	6 Stud Sunraysia Light Truck
Axle Thickness	type	50mm With Parallel Bearings
Braking System	type	Hydraulic 10" Drum with Override
Light Voltage	type	Multi Voltage 12/24v LED
Spare Wheel	y / n	Y
Material Finish	type	Galvanised
Trailer Rating	weight	1875kg
Tow Hitch	type	50mm Ball Coupling
Jockey Wheel	type	AL-KO or equivalent
Suspension System	type	9 Leaf HD
<b>WATER TANK FEATURES</b>		
Origin	country	Australian
Level Gauge	y / n	Y
Tank Fill Lid	type	Connected (Quarter Turn)
UV Stabilised	y / n	Y
<b>DIMENSIONS &amp; WEIGHT</b>		
Approx Weight	kg	600 (dry) / 1600 (wet)
Unit Dimensions	mm	4200(L) x 2000(W) x 1600(H)
<b>WARRANTY(S)</b>		
Trailer Warranty	year	1
Water Cartage Tank Warranty	years	15

1500mm Draw Bar Mounted Alloy Tool Box

Hose Reel Guides

Roll bar + night working lights & beacon

Jerry Can Holder (each) Petrol - Red

JW Pro Foam Bypass System



31601



2100463



JWA425



JWA427



PROFOAM

**OPTIONAL EQUIPMENT**

