

# EXPLORER™ G2



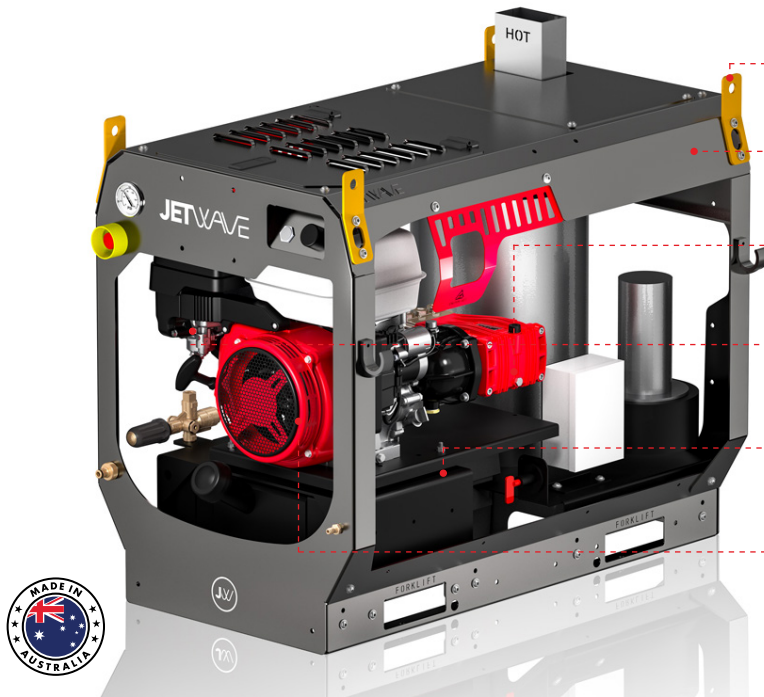
**3650**  
PSI

**15**  
L/PM

**HONDA iGX390**  
PETROL  
ENGINE TYPE  
POWERED by HONDA.

**GEARBOX**  
1450RPM  
DRIVE

**HOT**  
WATER  
OUTPUT



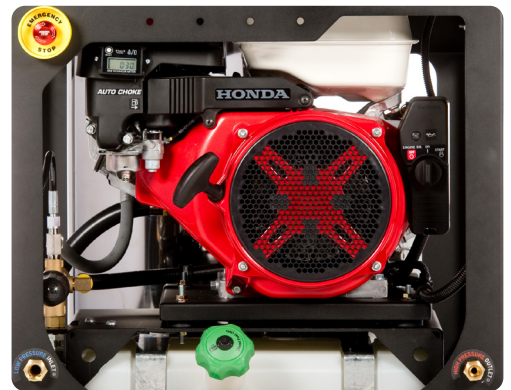
## HERO INNOVATIONS

- ETL™**  
Engineered Top Lifting Lugs
- PEXO™**  
Stainless Steel Exoskeleton
- JWPP™**  
Jetwave Italian Premium Pump
- CC™**  
Centralised Control
- AVPS™**  
Anti Vibration Protection System
- AST™**  
Auto Speed Technology



## APPLICATIONS

- Tradesmen
- Commercial Cleaners
- Agriculturist
- Hire & Rental



## STANDOUT FEATURES

- JW® Enhanced Italian triplex plunger pump running at 1450RPM delivers more performance and longer life.
- Intelligent Honda™ iGX390 Industrial Series Engine with automatic RPM's & choke sensor with electric key start (back up pull start).
- Zero brass adjustable unloader valve.
- Vertical burner with GeniSys™ 12v Advanced Burner Control with smart sensors and protective features.
- Jetwave Safety System™ (JSS) thermal and safety valve to prevent overheating in excessive bypass and over pressurisation.
- Emergency stop & battery isolator.

## STANDARD EQUIPMENT

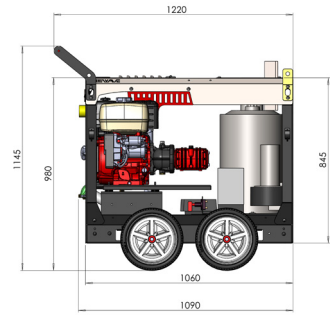
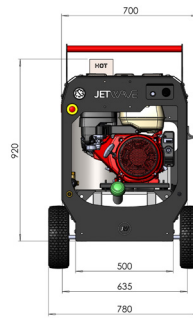


J5000™ High Pressure Gun + Twin Lance w/Nozzles.



15m Double Wire Braid Hose w/M22 Couplings.

## DIMENSIONS (MM)



## TECHNICAL DATA

## EXPLORER™ G2

Product Code	HW4000-15PG2
Pressure / Flow Rate	3650 PSI (250 BAR) / 15 L/PM
Max Water Inlet / Outlet Temp	60C° / 90C°
Class (ASNZS: 4223)	A (3,750 Bar/Litres)
Usage Frequency	Professional - 4 Hours Daily
Nozzle Size	O40
Frame Structure	CNC Modular skid galvanised steel chassis plus satin powder coat finish and <b>stainless steel cover</b>

## MOTOR FEATURES

Engine / Power	Honda™ iGX390 Electric Start (air cooled w/auto speed tech) 13HP / 390cc
Fuel Type / Capacity / Protection	Unleaded / 6.1L / Low Oil Shutdown

## HYDRAULIC FEATURES

Pump / Head / Pistons	JW® Italian Triplex Plunger / Brass (Nickle Plated) / Ceramic
Motor Pump Coupling / Pump RPM	Gearbox Drive / 1450RPM
Unloader Valve	Independent (Zero) - Adjustable
Safety Valve	Yes
Detergent Injector	Yes - Downstream low pressure (power boost)



## THERMAL FEATURES

Burner Model	Vertical 12v Series
Fuel Supply / Capacity / Consumption	Diesel / 20L / 5.74 L/PH
Coil / Housing Material	Mild steel 3mm wall seamless (400BAR rated) / Stainless Steel

## DIMENSIONS & WEIGHT

Machine Dimensions / Weight	Skid: 1090mm(L) x 700mm(W) x 920mm(H) / 280KG
-----------------------------	---

## WARRANTY(S)

Unit / Pump Warranty*	 2 Years
Engine Warranty*	 3 Years

## OPTIONAL ACCESSORIES

30m Hose Reel	1060CMPL
60m Hose Reel	1067CMPL
Additional High Pressure Hose	52001
JW12 Foaming Lance w/1L Tank	JWA221-LS12
JW Bypass Pro Foam	PROFOAM
Turbo Head w/Lance (300BAR)	JWA160
21" Hammerhead - Plastic	JWA-FSC21
21" Hammerhead - Stainless Steel	JWA-FSC21-5

## OPTIONAL UPGRADES

Engine Hour Meter	TOL8075
On-board Water Bypass Cooling Tank	90008-12ROTCMPL
Low Level Water Cut Out	JWA220
4 Wheel Trolley Kit	JWA407
Hose Reel Roller Guide HGS™	1067-GUIDEASSY (1067 Only)

The manufacturer reserves the right to modify design features and technical facts without notice, due to our principals of continuous improvement.

\*Coverage against defects in material and workmanship (refer to Jetwave's and component partners T&Cs).

V2.2 08/21