

EXECUTIVE™ SILENT 350-23



5075
350 BAR
PSI

23
L/PM

KOHLER KD1903
42HP
DIESEL
ENGINE TYPE
KOHLER Diesel

DIRECT
1500RPM
DRIVE

HOT
WATER
OUTPUT



HERO INNOVATIONS



PEXO™
Enclosed Design



JWPP™
Jetwave UDOR™ Italian Premium Pump



INTELIUMS™
LCD Control System



OLCE™
Oversized Liquid Cooled Engine



ULDO™
Ultra Low Decibel Output



CLASS B AS/NZS 4233.1
HIGH PRESSURE CLEANER
WFO CERTIFICATION IS REQUIRED FOR OPERATORS



APPLICATIONS

- Tradesmen
- Factories & Manufacturing
- Mine Sites
- Offshore Oil & Gas



STANDOUT FEATURES



JW® UDOR® Premium Italian plunger pump running at 1500RPM direct with soft coupling to the engine, allows longer life and no reduction method.



Oversized Liquid Cooled Kohler™ KD1903 42HP diesel engine that optimises all speeds and loads.



IntelliUMS™ LCD Unit management system displays live data read outs, warnings and auto shutdown to protect the units critical components.



Sound proof cabinet ensures ultra low noise emissions approx 70dB allowing after hours cleaning in built up areas



Enclosed steel cabinet protection keeps all critical working components safe from weather and operator error.



Battery isolator & emergency stop. Lockable diesel fuel fill point for added safety.

STANDARD EQUIPMENT



Gun: J5500k low trigger force gun w/swivel & lance coupling system.

Lance: JW Straight stainless steel lance w/ snap coupling + nozzle w/protector & tail

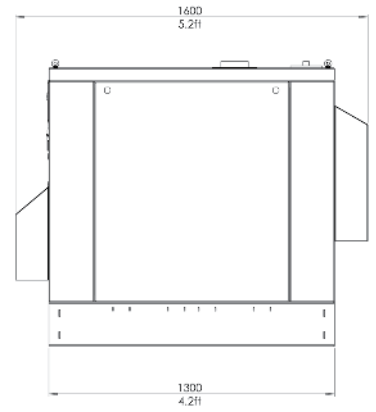
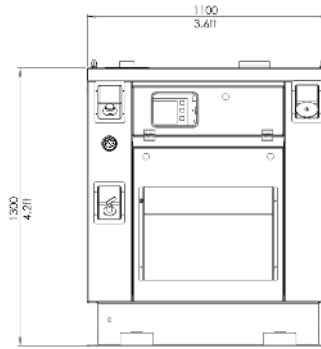


Hose: 15m non marking double wire braid hose w/M22 couplings



G2 WASHBOX VIDEO

DIMENSIONS (MM)



TECHNICAL DATA 0:00

EXECUTIVE SILENT 350-23

Product Code	HW5000-23DI-ASSY
Pressure / Flow Rate	5075 PSI (350 BAR) / 23 L/PM (1380 L/PH) / 6 GPM
Max Water Inlet / Outlet Temp	60°C / 90°C
Class (AS/NZS: 4223)	B (8,050 Bar/Litres)
Usage Frequency	Industrial: Continuous Usage
Nozzle Size	05
Frame Structure	CNC Modular skid galvanised steel chassis plus satin powder coat finish w/removable side covers

MOTOR FEATURES

Engine / Power	Kohler™ KDI1903 Electric Push Button Start (liquid cooled) 42HP / 1861cc
Fuel Type / Capacity / Protection	Diesel / 100L (Common) / IntelliUMS™ Auto Shutdown Protection

HYDRAULIC FEATURES

Pump / Head / Pistons	JW® UDOR® Premium Triplex Plunger / Brass (Nickle Plated) / Ceramic
Motor Pump Coupling / Pump RPM	Direct Soft Coupling / 1500RPM
Unloader Valve	Independent
Safety Valve	Yes

HYDRAULIC FEATURES

Burner Model	Vertical 12v High Flow Series
Fuel Supply / Capacity / Consumption	Diesel / 100L / 5.74 L/PH
Coil / Housing Material	Mild steel 3mm wall seamless (500BAR rated) / Zinc coated steel

DIMENSIONS & WEIGHT

Machine Dimensions / Weight	1600mm(L) x 1100mm(W) x 1300mm(H) / 633KG
-----------------------------	---

WARRANTY(S)

Unit / Pump Warranty*	 2 Years
Engine Warranty*	KOHLER.Diesel 3 Years

OPTIONAL ACCESSORIES

OPTIONAL UPGRADES

JW Pro Turbo Head	JW303-05	Mine Specification Kit	SILENTMINESPEC
21" FSC - Stainless Steel	JWA-FSC22-5CMPL		

Copyright © 2023 Jetwave® Group Pty Ltd. All Rights Reserved.

The manufacturer reserves the right to modify design features and technical facts without notice, due to our principals of continuous improvement.

*Coverage against defects in material and workmanship (refer to Jetwave's and component partners T&Cs).

V3.0 08/23